

Goldring GR1 SET-UP AND INSTALLATION

Your Goldring turntable has been designed to effectively reproduce music whilst being easy to use. We have omitted all the usual gimmicks; concentrating the manufacturing costs on the high quality components and design necessary to reproduce records accurately. For example, using a manual speed change, rather than an automatic mechanism, eliminates speed inconsistencies and possible damage to the drive belt (for the odd occasion you may want to play a 45 RPM record). The money we save with this method is spent on an expensive low vibration motor which would normally be used on a turntable costing two or three times the amount. Goldring's simplistic design, together with the use of extremely high quality components ensures that your turntable will last for many years. The tips we give may help increase the longevity of your GR1 and give you maximum musical enjoyment.

UNPACKING

After removing the turntable from its carton, remove the outer platter and the cardboard spacer from underneath the sub-platter. Replace the outer platter and felt mat. Remove balance weight from packing.

GETTING STARTED

Please follow these three steps to ensure optimum performance from your turntable.

1. Tracking Weight Adjustment

Push the balance weight on to the rear of the arm. Carefully remove the stylus guard. The bias adjustment slider is positioned under the arm, set this to zero. Lower the arm lift lever down and carefully hold the arm over a record. Turn the balance weight along its shaft until the arm balances 1mm above a record. Return the arm to its rest position and rotate the balance weight one full turn towards the front of the arm.

2. Bias Adjustment

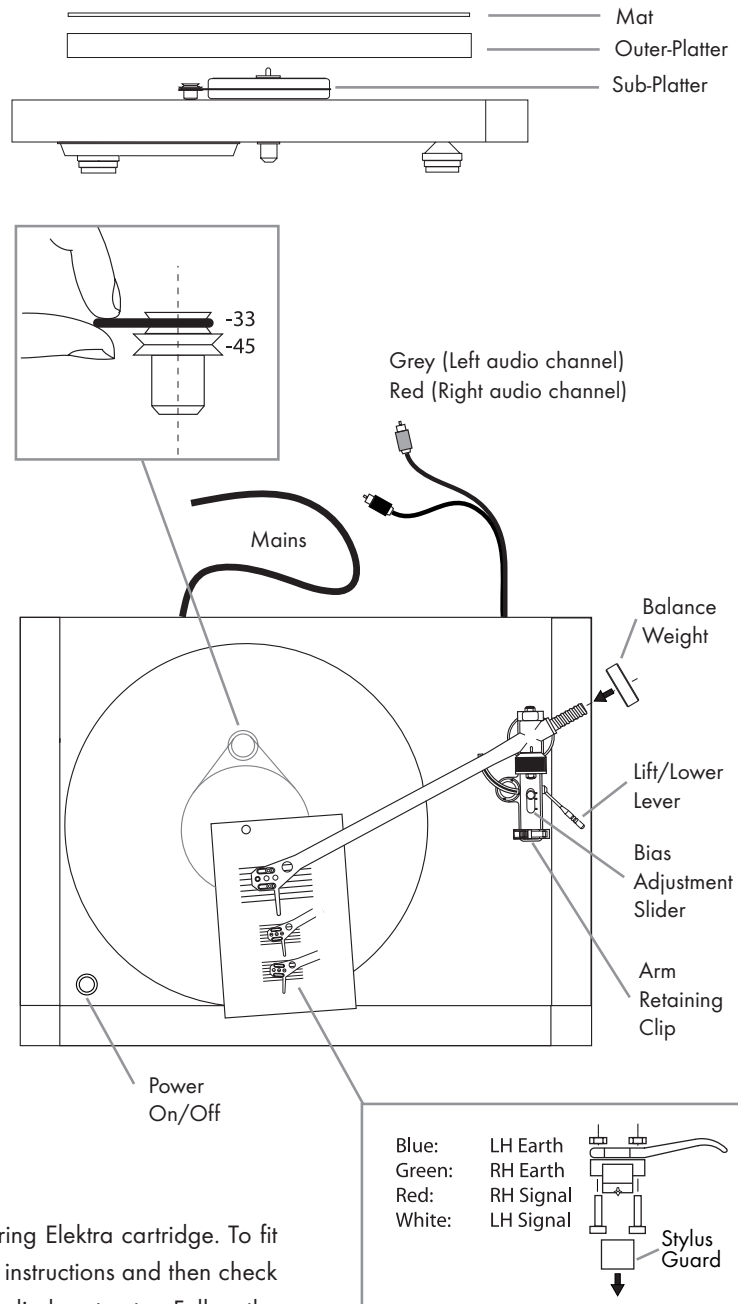
Set the bias adjustment slider to 2.

3. Connections

Connect the red and grey phono plugs to the phono input of your amplifier and connect to the mains supply. The turntable is now ready for use.

FITTING AN ALTERNATIVE CARTRIDGE

The Goldring GR1 is supplied fitted with a Goldring Elektra cartridge. To fit an alternative cartridge follow the manufacturer's instructions and then check the cartridge is correctly aligned by using the supplied protractor. Follow the above instructions but rotate the balance weight one half turn for each one gram tracking force, for example for a force of 1 1/2 grams rotate the weight 3/4 turns towards the front of the arm. Set the tracking force to the upper limit recommended by the manufacturer. Set the bias adjustment to same value as the tracking force.



Warning: Any attempt to adjust, modify or repair this product by persons other than Goldring personnel may invalidate the guarantee.

Goldring GR1 HINTS AND TIPS USING YOUR TURNTABLE

- 1 Mount the turntable on a rigid, level surface. A light shelf or turntable support screwed to a wall or in an alcove is ideal. Avoid mounting on hollow or heavy cabinets or anything mounted on a wooden floor.
- 2 Try to keep the lid closed while playing the records. This will prevent dust falling on to the record and reduce the need for cleaning. There may also be a sonic improvement.
- 3 Don't use any record cleaner that works while the record is playing. If you keep records stored in their sleeves, avoid touching the playing surfaces and play with the lid down, frequent cleaning should not be necessary. Don't worry about visible dust on the record surface, this will normally be brushed aside by the stylus. Any that does collect on the stylus can be easily blown away.
- 4 Leave the turntable running during a record playing session. Switch on before the session and only switch off after you have finished.
- 5 Don't lift the sub-platter out from the main bearing. The bearing is factory assembled with a film of special thick lubricant. If the sub-platter is removed this film may be disturbed.
- 6 Goldring turntables are designed to optimise performance for music reproduction and therefore no compromises have been made to give quick start times. The normal time taken for full speed to be reached is between 2-5 seconds. However, in some cases a slower start time or slight rattle should cause no concern.
- 7 The arm earth (or ground) is automatically connected through the arm cable screening. No other earthing should be necessary.

Should you experience any problem with your turntable or wish to enquire about servicing please contact your Goldring dealer.

Visit www.goldring.co.uk for the latest product information of Goldring Products
